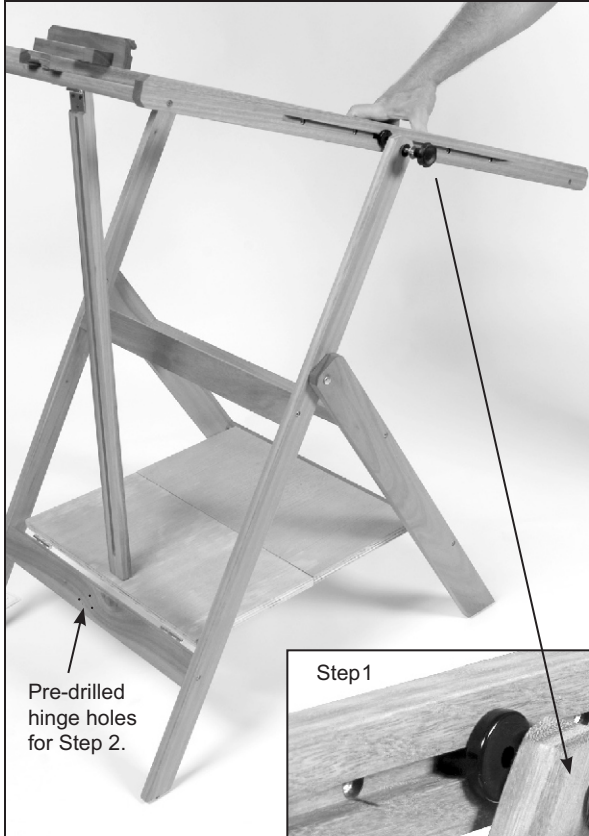
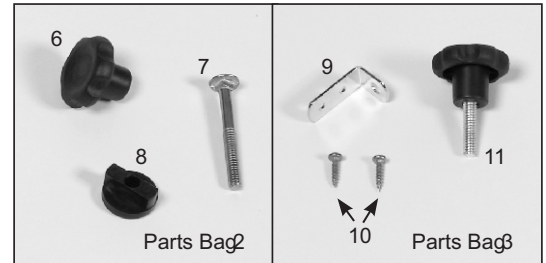
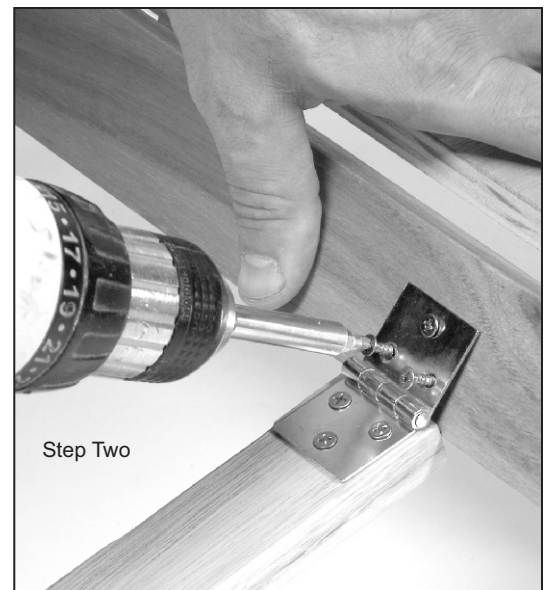
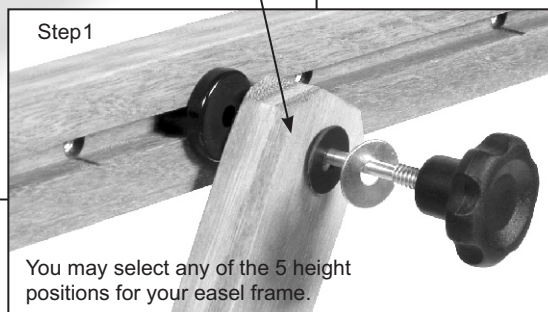


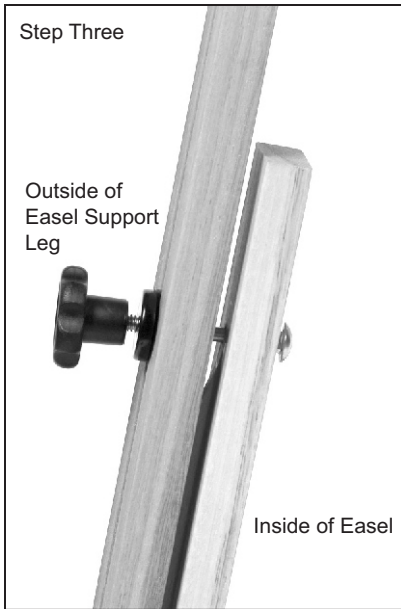
- |                         |                         |
|-------------------------|-------------------------|
| 1. 2 -Slide Guides      | 6. 1 -Knob              |
| 2. 2 -Knobs (with bolt) | 7. 1 -Bolt              |
| 3. 2 - PlasticWashers   | 8. 1 -Slide Guide       |
| 4. 3 -Wood Screws       | 9. 1 -L-Bracket         |
| 5. 2 - BrassWashers     | 10. 2 -Wood Screws      |
|                         | 11. 1 -Knob (with bolt) |



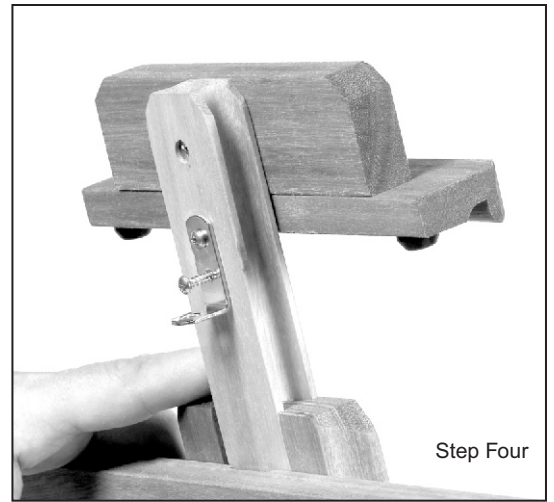
**Step One:**  
Attach the Easel Frame (A) to the Base (C), with the hardware in Parts Bag1. Thread the Knob (with bolt) through the Plastic and Brass Washers, the Base leg, the Slide Guide, and into a recessed nut on the Easel Frame. Tighten. Repeat on other side.



**Step Two:**  
Using the 3 screws from Parts Bag 1, mount the hinge on the Back Support Leg (B) using the pre-drilled holes on the back of the Base (C).



**Step Three:**  
 In Parts Bag 2 you will find the Slide Guide System to join the hinged Support Legs together. Thread the Bolt through both legs, the Slide Guide and into the Knob. Tighten at desired angle.



**Step Four:**  
 In Parts Bag 3, there is an L-Bracket that can be attached to the back of the adjustable Mast to hold the Mast up when no canvas is in place. Mount with the 2 Wood Screws into the pre-drilled holes.



**Step Five:**  
 To adjust the height of the adjustable Mast, insert the Knob with bolt (11) from Parts Bag 3. Tighten at desired height.

