

# Aluminum Gallery Wrap Bars by BEST

Quality stretcher bars are not just another piece of wood. At BEST Artist Products, every bar is selected from the finest raw material. The bars must be free of knots and completely straight. BEST offers a world of museum quality stretcher bars: Aluminum Gallery Wrap Bars, Aluminum Pro-Bars, Heavy-duty Pine Super Bars, Medium-duty Bars, Lightweight Bars, as well as Cross Braces. All the bars are designed so that the canvas is always a full 1/2" from the stretcher bar to insure that there will be no "ghost" impressions on the canvas. The rounded back edge reduces surface friction and allows for a smoother, tighter draw of the fabric for a snug, more even painting surface. BEST stretcher bars are designed by artists and made from kiln-dried pine. They are the finest made today. **Assembly requires Aluminum Corners, item #895020-04. See next page.**

## Aluminum Gallery Wrap Stretcher Bars

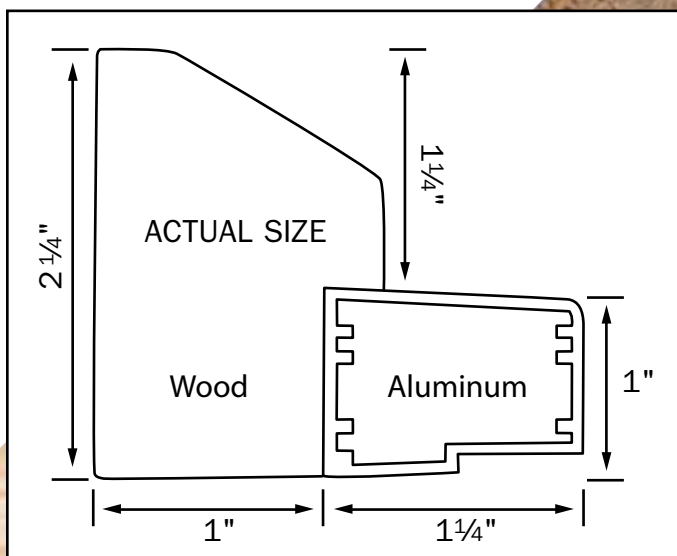
Now available from Jack Richeson: Gallery wrap stretcher bars! These bars allow the artist to wrap the canvas all the way around the bars and secure on the back to achieve a nice flat surface against the back. Makes hanging paintings a breeze!

NUMBER	SIZE
896012	12"
896018	18"
896020	20"
896024	24"
896030	30"
896036	36"
896040	40"
896048	48"
896060	60"
896072	72"
896080	80"
896090	90"

### CALL 1.800.233.2404 FOR:

- Stretcher Bar Sizes Not Listed
- Cross Brace Sizes and Information

**NOTE:** All BEST Stretcher Bars are cut 1/8" shorter than the measurement listed. This is to ensure that the assembled frame with canvas will fit into a picture frame. If exact measurements are required, please call 1-800-233-2404.



Cross-section of Gallery Wrap Stretcher Bar.

**Gallery Wrap bars allow the artist to paint on all 4 sides of the canvas!**



# Aluminum Pro-Bars by BEST

## The Aluminum Combination Pro-Bar

Museum quality stretcher bars for the professional. Kiln-dried pine is connected to a specially milled 3/32" aluminum bar. Paintings will never twist, warp, bend or change from dryness or humidity. The recycled aluminum stock provides a structural frame of total strength and stability. The pine outer bar offers a smooth, rounded edge and a solid surface for stapling. Pro-Bars can be cut to any length and assembled with steel corner inserts. Optional BEST Keys allow tightening or loosening of the canvas with the turn of a nut. **Assembly requires Aluminum Corners, item #895020-04 found on this page.**

NUMBER	SIZE	NUMBER	SIZE	NUMBER	SIZE
893002	8"	893021	28"	893038	48"
893010	9"	893076	29"	893081	49"
893003	10"	893023	30"	893039	50"
893012	11"	893016	31"	893078	51"
893005	12"	893025	32"	893061	52"
893006	13"	893058	33"	893089	53"
893007	14"	893027	34"	893040	54"
893085	15"	893018	35"	893066	55"
893009	16"	893029	36"	893079	56"
893014	17"	893069	37"	893073	57"
893011	18"	893031	38"	893041	58"
893024	19"	893080	39"	893020	59"
893013	20"	893033	40"	893042	60"
893075	21"	893059	41"	893046	72"
893015	22"	893035	42"	893047	84"
893083	23"	893068	43"	893048	96"
893017	24"	893036	44"	893057	108"
893074	25"	893055	45"	893054	120"
893019	26"	893037	46"	893132	132"
893084	27"	893065	47"	893087	144"

**We have made custom aluminum frames as large as 13 FEET by 22 FEET! Call us for quotes and test our limits!**

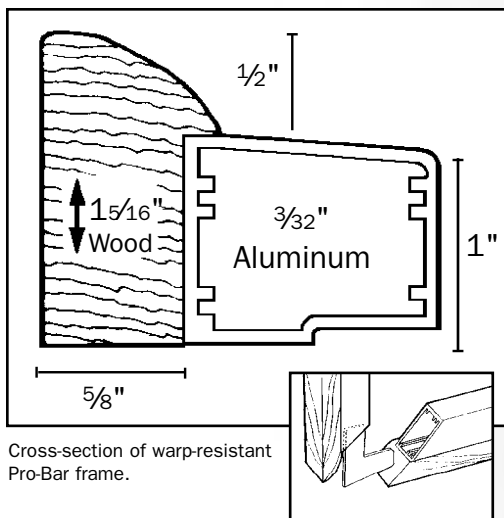
## CALL 1.800.233.2404 FOR:

- Stretcher Bar Sizes Not Listed
- Cross Brace Sizes and Information

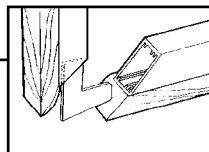
## Aluminum Corners

These corners are only to be used with the BEST Aluminum Pro-Bars and the BEST Aluminum Gallery Wrap Bars. Only one corner is needed for each corner, but two steel corners are recommended for optimum strength. Sold in packs of 4.

NUMBER 895020-04



Cross-section of warp-resistant Pro-Bar frame.



Assembled with one steel corner insert.



Cross-sections of warp-resistant Pro-Bar frame next to warp-resistant Aluminum Gallery Wrap frame.

# Heavy-Duty Bars by BEST

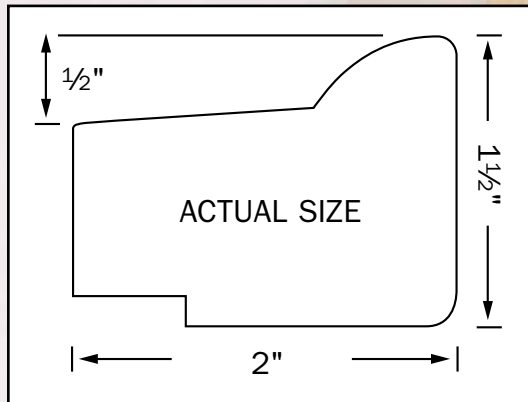
See page 188 for Heavy-Duty Cross  
Brace information.

## Heavy-duty Super Stretcher Bars

The Super Bar is truly that – a very super bar. The Super Bar is made of pine that has been finger spliced. Finger splicing is a method of bonding pieces of lumber together to form a very long, straight bar. Since the spliced joints are actually stronger than the natural wood, we can now get longer, stronger and straighter bars than ever before. First designed for the construction industry, this high tech method yields better bars than ever before. These bars are recommended for canvases over 48". Sold in minimum quantities of 6 in sizes under 60".

### CALL 1.800.233.2404 FOR:

- **Stretcher Bar Sizes Not Listed**
- **Cross Brace Sizes & Information**



Cross-section of Heavy-duty Stretcher Bar.

NUMBER	SIZE	NUMBER	SIZE
890001	8"	890023	38"
890050	9"	890024	39"
890002	10"	890025	40"
890051	11"	890074	41"
890003	12"	890026	42"
890065	13"	890079	43"
890004	14"	890027	44"
890066	15"	890073	45"
890005	16"	890028	46"
890052	17"	890086	47"
890006	18"	890029	48"
890053	19"	890078	49"
890007	20"	890030	50"
890067	21"	890063	51"
890008	22"	890031	52"
890068	23"	890085	53"
890009	24"	890032	54"
890010	25"	890076	55"
890011	26"	890033	56"
890012	27"	890064	57"
890013	28"	890034	58"
890014	29"	890049	59"
890015	30"	890035	60"
890016	31"	890038	72"
890017	32"	890041	84"
890018	33"	890044	96"
890019	34"	890046	108"
890020	35"	890047	120"
890021	36"	890228	132"
890022	37"	890082	144"

## Stretcher Bar Display Racks

Retailers have never had a great way to display stretcher bars... until now! Jack Richeson & Co. is proud to offer this rolling bar display.

- Place where you have space; move as needed
- Place two displays back to back to offer customers more options
- Bars held firmly in place in specially-designed egg crate openings

NUMBER	DESCRIPTION
890995	Heavy-duty bar display filled
890998	Heavy-duty bar display empty
890994	Medium-duty bar display filled
890997	Medium-duty bar display empty
890993	Lightweight bar display filled
890996	Lightweight bar display empty
893999	Aluminum bar display filled
890999	Aluminum bar display empty

**Call our Sales Department  
at 1-800-233-2404 for a  
listing of display contents  
and for more information  
on custom bar displays.**



# Medium-Duty & Lightweight Bars by BEST

## Medium-duty and Lightweight Stretcher Bars

The medium-duty and lightweight bars are manufactured from white pine. There is a greater supply of pine in the thinner and shorter length, so we use the high quality white pine for these bars. Extremely useful in small paintings are the lightweight bars. These bars can save you money and make framing a little easier. Caution: The lightweight bars are not for use on large paintings.

**CALL 1.800.233.2404:**

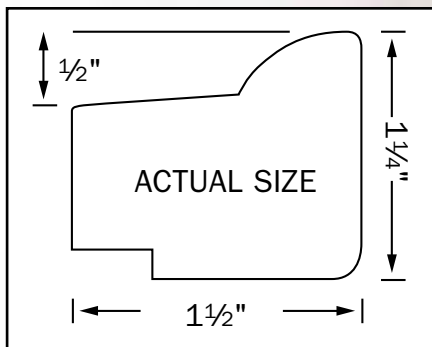
- For Stretcher Bar Sizes Not Listed
- For Cross Brace Sizes and Information

### Medium-duty Bars

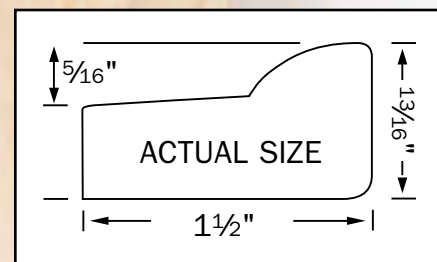
NUMBER	SIZE	NUMBER	SIZE
890101	8"	890120	35"
890150	9"	890121	36"
890102	10"	890122	37"
890151	11"	890123	38"
890103	12"	890124	39"
890143	13"	890125	40"
890104	14"	890157	41"
890144	15"	890126	42"
890105	16"	890158	43"
890142	17"	890127	44"
890106	18"	890159	45"
890145	19"	890128	46"
890107	20"	890160	47"
890146	21"	890129	48"
890108	22"	890161	49"
890147	23"	890130	50"
890109	24"	890162	51"
890110	25"	890131	52"
890111	26"	890155	53"
890112	27"	890132	54"
890113	28"	890163	55"
890114	29"	890133	56"
890115	30"	890164	57"
890116	31"	890134	58"
890117	32"	890165	59"
890118	33"	890135	60"
890119	34"		

### Lightweight Bars

NUMBER	SIZE	NUMBER	SIZE
894001	8"	894028	35"
894002	9"	894029	36"
894003	10"	894030	37"
894004	11"	894031	38"
894005	12"	894032	39"
894006	13"	894033	40"
894007	14"	894034	41"
894008	15"	894035	42"
894009	16"	894036	43"
894010	17"	894037	44"
894011	18"	894038	45"
894012	19"	894039	46"
894013	20"	894040	47"
894014	21"	894041	48"
894015	22"	894042	49"
894016	23"	894043	50"
894017	24"	894044	51"
894018	25"	894045	52"
894019	26"	894046	53"
894020	27"	894047	54"
894021	28"	894048	55"
894022	29"	894049	56"
894023	30"	894050	57"
894024	31"	894051	58"
894025	32"	894052	59"
894026	33"	894053	60"
894027	34"		



Cross-section of Medium-duty Stretcher Bar.



Cross-section of Lightweight Stretcher Bar.