

Wood Print Racks by Richeson



Folds flat for storage and easy transport



Pictured:
Jackie Brady
Safety and
Compliance
Manager

Great to display artwork!

A. Large Galestio

- Base width/depth: 37" x 17"
- Rack height: 37"
- Box dimensions: 44" x 38" x 3"
- Shipping weight: 19 lbs.
- Ships by UPS - oversize
- Assembly required

NUMBER 886019

B. Medium Galestio

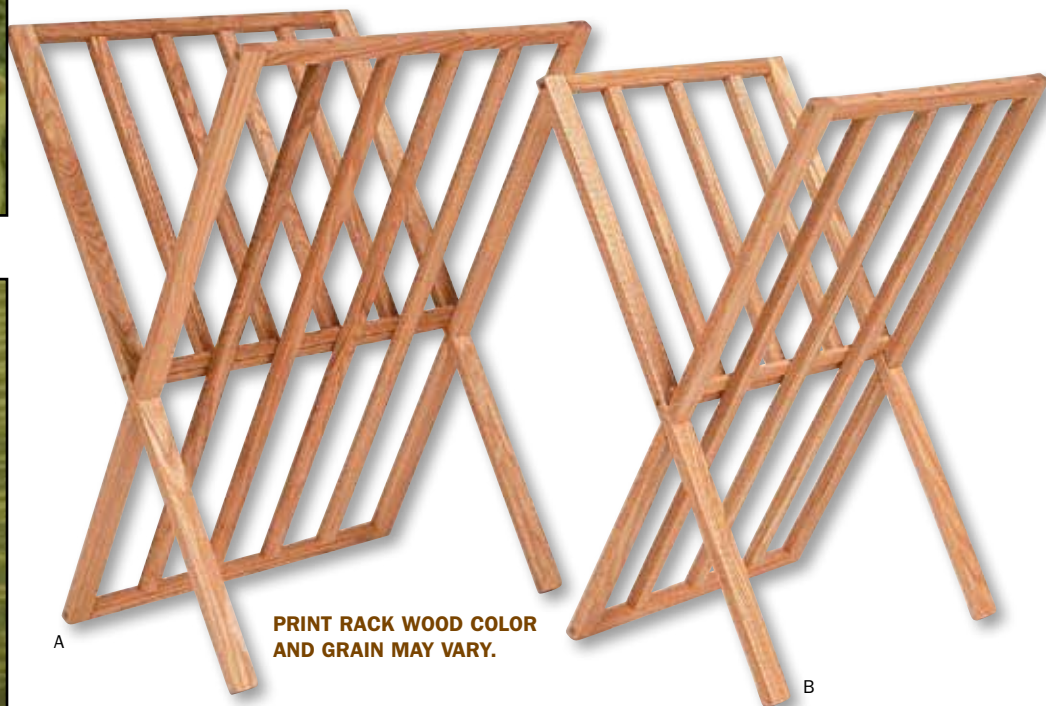
- Base width/depth: 23-3/4" x 16-1/2"
- Rack height: 33-3/4"
- Box dimensions: 39" x 25" x 3"
- Shipping weight: 15 lbs.
- Ships by UPS - oversize
- Assembly required

NUMBER 886016

Small Galestio

- Base width/depth: 20" x 15-1/2"
- Rack height: 31"
- Box dimensions: 37" x 21" x 3"
- Shipping weight: 11 lbs. - oversize
- Ships by UPS
- Assembly required

NUMBER 886010



**PRINT RACK WOOD COLOR
AND GRAIN MAY VARY.**



C. Richeson Ambrosia Print Rack

- Base width/depth: 37" x 22"
- Rack height: 32"
- Gusset: 6-7/8"
- Box dimensions: 36" x 33" x 4"
- Shipping weight: 28 lbs. - oversize
- Ships by UPS
- Assembly required

NUMBER 886011



D. Richeson Hiles Print Rack

- Base width/depth: 23" x 16-1/2"
- Rack height: 28-3/4"
- Gusset: N/A
- Box dimensions: 32" x 5" x 4"
- Shipping weight: 7 lbs.
- Ships by UPS
- Assembly required

NUMBER 886012

Portable, knock down storage!

Great for conferences, exhibits at malls or art shows, and great when you have to transport and set up a show by yourself!

Artist Organizers by Richeson

These organizers have a never ending list of what they can be used for: pastels, brushes and paints just to name a few. The small organizer would be great for the home studio with a limited amount of space. For the classroom setting, the large organizer would be ideal to store student projects on the shelves. They are beautiful and practical! The artist organizers are a convenient way to store a variety of artist tools. Each removable shelf allows for simple transport of supplies to your work area. Simply take the shelf out and go!



A. Richeson Lyptus® Wood Artist Easel Organizer

This easel is adjustable for working seated or standing. Most features a slight tilt forward for pastel work, and the organizer trays, which can slide into seven different slots, are designed to hold the Richeson Pastel Trays. (Item #400281)

Folds compact for easy storage.

- Maximum canvas height: 38"
- Base width/depth: 18" x 33-1/2"
- Extended easel height: 74"
- Inside tray dimensions:
2 small at 17-9/16" x 7"
2 large at 17-9/16" x 14-1/16"
- Box dimensions: 57" x 18" x 4"
- Shipping weight: 38 lbs.
- Ships by UPS, assembly required

NUMBER 886024



B. Small Artist Organizer

- Display dimensions:
18"(w) x 29"(d) x 49"(h)
- Flat dimensions:
18"(w) x 5-1/4"(d) x 49-3/4"(h)
- Shelf dimensions:
3 small shelves - 17" x 9-3/4"
2 large shelves - 17" x 12-3/4"
- Shipping weight: 21 lbs. - oversize
- Box dimensions: 52" x 19" x 4"
- Ships partially assembled by UPS

NUMBER 887137



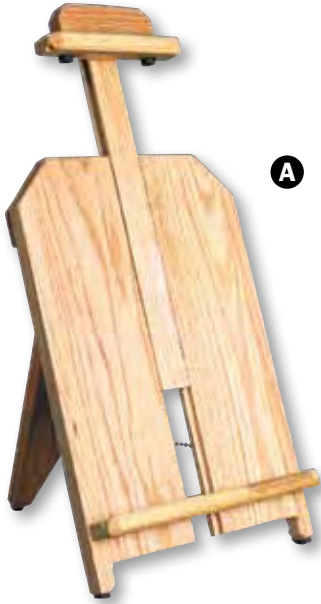
C. Large Artist Organizer

- Display dimensions:
18"(w) x 35-1/8"(d) x 65-1/2"(h)
- Flat dimensions:
18"(w) x 5-1/4"(d) x 67-1/2"(h)
- Shelf dimensions:
5 small shelves - 17" x 9-3/4"
2 large shelves - 17" x 12-3/4"
- Shipping weight: 28 lbs.
- Box dimensions: 71" x 14" x 3"
- Ships partially assembled by truck

NUMBER 887136

Richeson Wood Easels

SEE OUR
OTHER TABLE
EASELS ON
PAGE 144

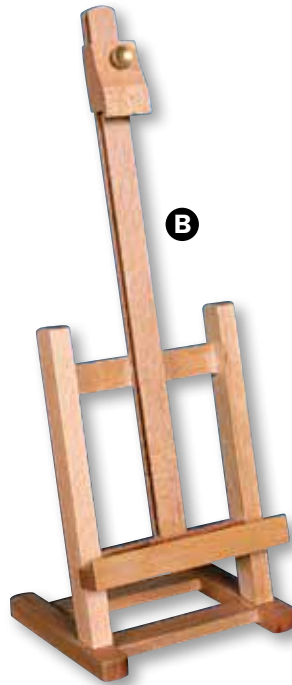


A

A. Richeson LaVara Table Easel

- Maximum canvas height: 24"
- Base width/depth: 10-1/4" x 10"
- Compact easel height: 16-3/4"
- Extended easel height: 27"
- Box dimensions: 17" x 11" x 3"
- Shipping weight: 3 lbs.
- Ships by UPS

NUMBER 885101

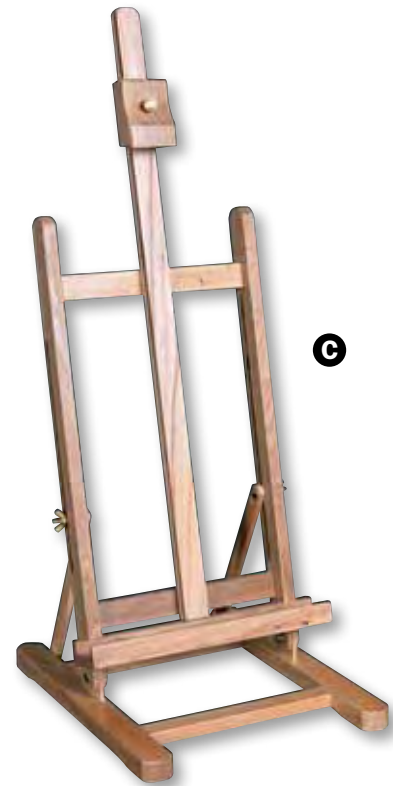


B

B. Richeson Bennett Table Easel

- Maximum canvas height: 12"
- Base width/depth: 6-1/8" x 5-1/4"
- Extended easel height: 17-1/2"
- Box dimensions: 18" x 7" x 3"
- Shipping weight: 1 lb.
- Ships by UPS, assembly required

NUMBER 696011



C

C. Richeson Seneca Table Easel

- Maximum canvas height: 22"
- Base width/depth: 11" x 12-1/2"
- Compact easel height: 30"
- Extended easel height: 39"
- Box dimensions: 27" x 12" x 4"
- Shipping weight: 4 lbs.
- Ships by UPS, assembly required

NUMBER 696008

Why our famous Richeson JJ Easels?

- Great for plein air painting
- Lightweight for students who need to bring an easel with them
- Easily packed to use for store or conference displays
- Inexpensive and very versatile
- Great for artists who have limited floor space!

D. Richeson "JJ" Easel

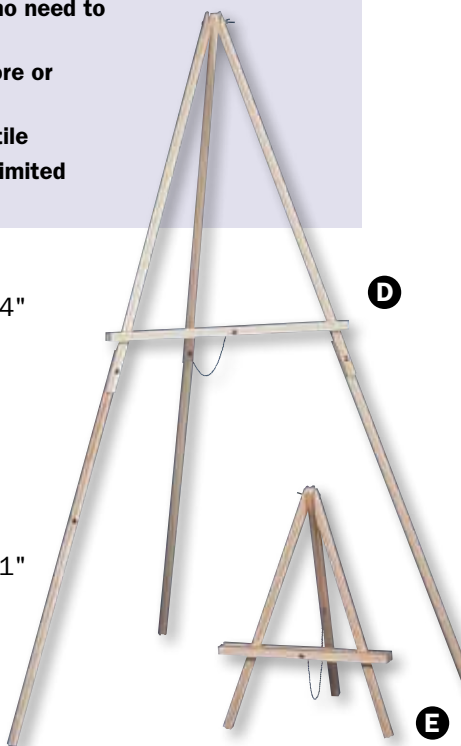
- Extended easel height: 64"
- Bagged with header
- Shipping weight: 3 lbs.
- Ships by UPS, assembly required

NUMBER 696111

E. Richeson "JJ" Table Top

- Extended easel height: 21"
- Bagged with header
- Shipping weight: 2 lbs.
- Ships by UPS, assembly required

NUMBER 696085



D

E



F

F. Richeson Adjustable Pine Easel

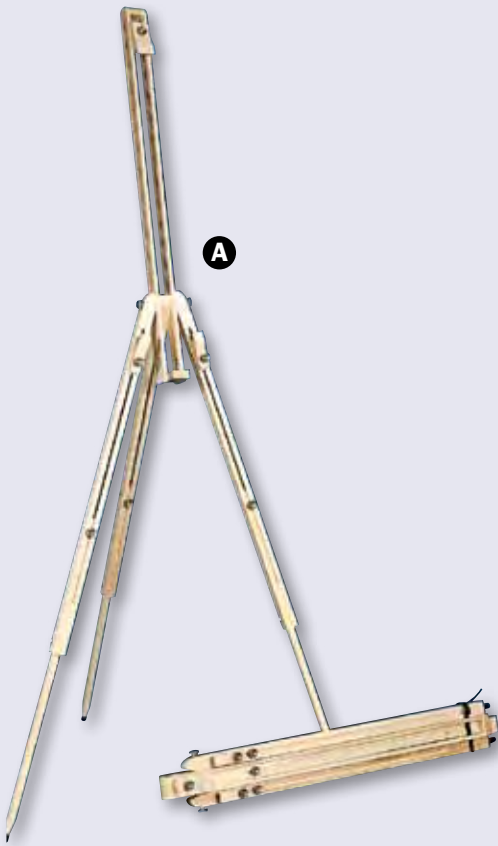
- Minimum canvas ht: 8"
- Maximum canvas ht: 77"
- Base width/depth: 26" x 30"
- Compact easel ht: 67"
- Extended easel ht: 100"
- Top Canvas holder: 14"
- Bottom Canvas holder: 26"
- Box dimensions: 65" x 27" x 4"
- Shipping weight: 23 lbs.
- Ships by UPS, assembly required

NUMBER 882250

Richeson Plein Air Equipment

Plein Air Equipment

An artist's work may take him to out of the way places with strange sounding names. Or maybe she's just a few yards down the trail where the angle is better and the light is brighter. Wherever artists may find their vision, our selection of Plein Air Equipment is sure to include the most dependable traveling companions. Whether a beginner or a professional, there is a Plein Air Easel made just for you!

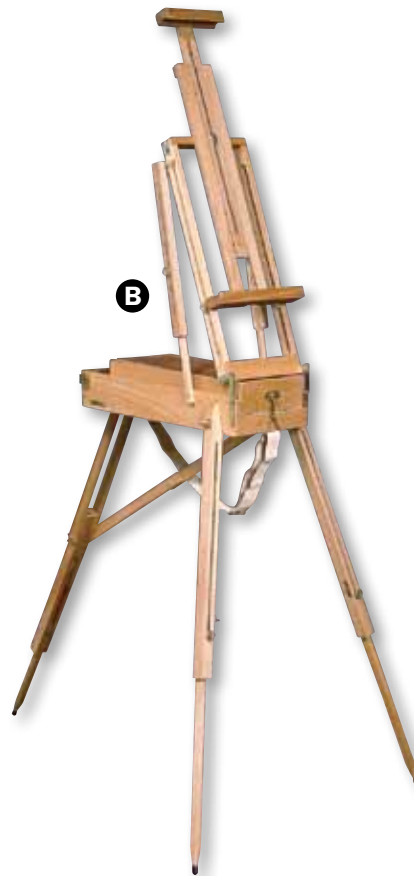


A. Richeson DePere Field Sketching Easel

An easel with adjustable legs. Easy to set up and take down. This lightweight, compact unit is simple to carry and to transport.

- Maximum canvas height: 38"
- Base width/depth: 34" x 34"
- Folds to: 5" x 34" x 3"
- Extended easel height: 73"
- Box dimensions: 24" x 6" x 4"
- Shipping weight: 3 lbs.
- Ships by UPS, assembly required

NUMBER 696069



B. Richeson Weston Small Easel

- Includes a hinged wooden palette measuring 11" x 16"
- Maximum canvas height: 34"
- Closed dim: 10-1/4" x 22-1/2"
- Shipping weight: 10 lbs.
- Box dimensions: 25" x 13" x 8"

NUMBER 696302



C. Richeson Weston Easel

- Includes a wooden palette
Dimensions: 11" x 16"
- Maximum canvas height: 34"
- Closed dimensions: 16" x 22"
- Shipping weight: 13 lbs.
- Box dimensions: 25" x 18" x 8"

NUMBER 696303

**See the Roz Boxes found on page 105.
They work great opened up on a French Easel!**



Stephen Quiller



Zoltan Szabo

Richeson Plein Air Equipment

Richeson Shelf Help®

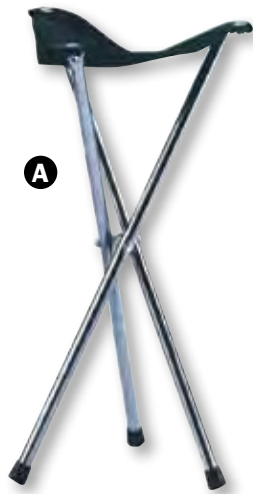
Each lightweight aluminum shelf features a slotted side edge to hold up to 10 brushes and comes with a plastic brush holder and two adjustable elastic straps to hold the brush holder and other tools. Shelves are made to attach to most common sized easels and up to two shelves will fit inside most French Easels. Shelf dimensions are : 16-1/4"(L) x 10-1/2"(W).

NUMBER 696305 Right Hand Shelf
NUMBER 696306 Left Hand Shelf



Great tool for plein air painters!

Expand your outdoor workspace! Shelf Help® is available for right and left handed artists. It works beautifully with our French Easels. (See page 147 for a full listing of French Easels)



A

A. Steel Stool

This is a heavy-duty folding tripod seat with folding legs for easy transport. The imitation leather seat stands 24" high and holds up to 160 lbs.

NUMBER 694060



B

B. Wood Stool

This heavy-duty hardwood folding stool features a leather seat. The legs open and close easily, and when folded, it's nicely compact for storage and transport. The seat measures 24" high and is secure for up to 200 lbs.

NUMBER 694061



C

c. Artist's Seat Bag Backpack

A wearable art organizer bag that converts into a seat! Organize your art supplies in this durable soft-sided 12" x 10-1/2" bag. Made from 100% canvas and fully backed with a vinyl waterproof lining, this bag has two full-width pockets for additional storage and is secured with heavy-duty nylon zippers. Made from black enameled steel tube, the lightweight frame folds flat to 18" x 15-3/4". Two adjustable straps snap on and off for use over the shoulder or as a backpack.

NUMBER 945328



Richeson Steel Easels



Colored Metal Stools

These brightly colored stools are great for any studio or office. Adjusts from 19" to 24" tall. Smooth rolling casters make you easily mobile.

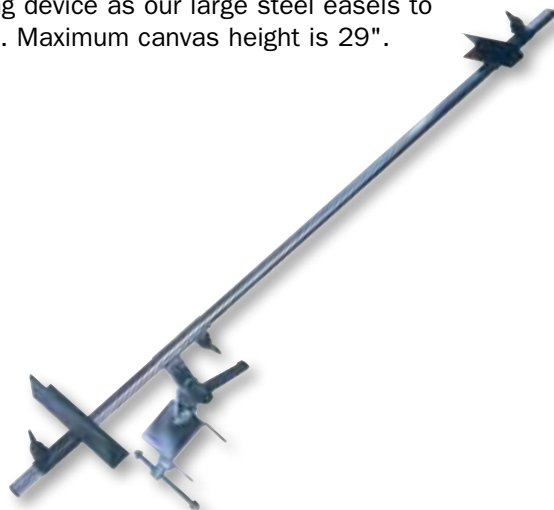
- Great to use while painting or at a computer desk
- Great for teen desks and dorm rooms!

NUMBER	DESCRIPTION
693001	Black
693002	Red
693003	Blue
693004	Yellow

Table Easel

This black and chrome easel clamps to table tops, chair backs and many other surfaces, whether vertical, horizontal or angled. It's sturdy enough to use for work and attractive enough to use for display. It uses the same gripping device as our large steel easels to firmly hold work in place. Maximum canvas height is 29".

NUMBER 694047



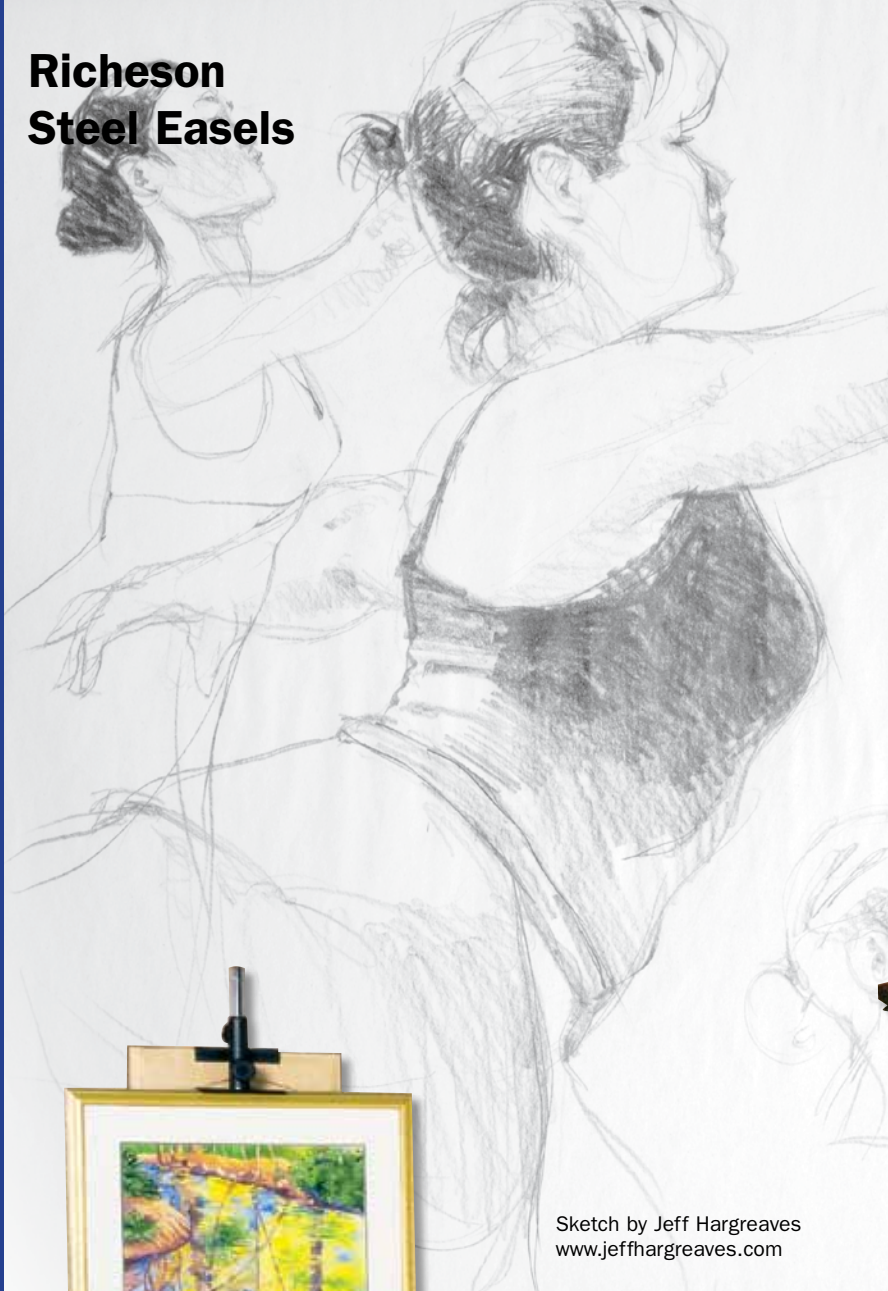
Italian Steel Tripod Easels

High quality steel easels with an excellent finish and sturdy fittings. For use indoors and out, Richeson's portable steel easels give you the best performance possible. Lightweight aluminum easels may blow over in the wind but the extra weight of steel keeps these easels rock-steady. Adjusts to a horizontal position for watercolor work.

- Maximum canvas height: 29"
- Horizontal table height: 31" – 54"
- Extended easel height: 80"
- Box dimensions: 35" x 5" x 4"
- Shipping weight: 7 lbs.
- Ships by UPS

NUMBER	DESCRIPTION
694050	Aluminum & Chrome
694051	Black & Chrome
694052	Red & Chrome
694053	White & Chrome
694054	Blue & Chrome
694055	Green & Chrome
694056	Yellow & Chrome

Richeson Steel Easels



Sketch by Jeff Hargreaves
www.jeffhargreaves.com



The Display Easel

Made from chrome plated and varnished black steel, this is a unique display easel that is attractive and practical. This unit was designed to be used on both sides at once. Depending on the size of the artwork, four pieces can be displayed at the same time.

- Base width/depth: 20" x 22"
- Extended easel height: 72"

NUMBER 697096



A. The Maestro

The Maestro will grace any studio with its elegant styling and solid stability. Its weight and durability make it perfect for heavy use. The shelf and drawing table accessories increase its utility even more!

- Maximum canvas height: 62"
- Base width/depth: 21-1/2" x 21-1/2"
- Box dimensions: 63" x 9" x 8"
- Shipping weight: 31 lbs.
- Ships by UPS, assembly required

NUMBER 697001

B. The Maestro Jr.

- Maximum canvas height: 50"
- Base width/depth: 21-1/2" x 21-1/2"
- Box dimensions: 62" x 9" x 8"
- Shipping weight: 24 lbs.
- Ships by UPS, assembly required

NUMBER 697005

Maestro Accessories

(sold separately)

NUMBER	DESCRIPTION	DIMENSIONS
697002	Shelf (metal)	19-3/4" x 12"
697003	Table (wood)	25-1/2" x 14"

Richeson Metal Print Racks



Italian Steel Lyre Easel

A heavy-duty steel A-frame easel which is perfect for classroom or studio use. It can be taken down and set back up with ease. Ships fully assembled.

- Maximum canvas height: 62"
- Base width/depth: 26" x 25"
- Extended easel height: 83"

NUMBER 694063



**NEW
IMPROVED
ASSEMBLY!**

Sketch by Jeff Hargreaves www.jeffhargreaves.com

Black Steel Print Rack

- Base width/depth: 34" x 18"
- Rack height: 32"
- Gusset: 6"
- Box dimensions: 34" x 23" x 4"
- Shipping weight: 16 lbs.
- Ships by UPS
- Assembly required

NUMBER 696070

Canvas Print Racks

These great print racks are light-weight and fold flat for easy storage! They have a support bed of black canvas that is sewn on to a sturdy, black 1" aluminum tube frame with rubber feet. All have hand holes for carrying. A great way to display or store prints and paintings!

Small Rack

Dimensions: 18"(w) x 20"(h)
Gusset: 5"

NUMBER 694042

Medium Rack

Dimensions: 24"(w) x 37-3/4"(h)
Gusset: 7-3/4"

NUMBER 694043

Large Rack

Dimensions: 36"(w) x 38-1/2"(h)
Gusset: 6"

NUMBER 694044

